

ELECTRICAL SITE PLAN
SCALE: 1:500

SERVICE NOTES

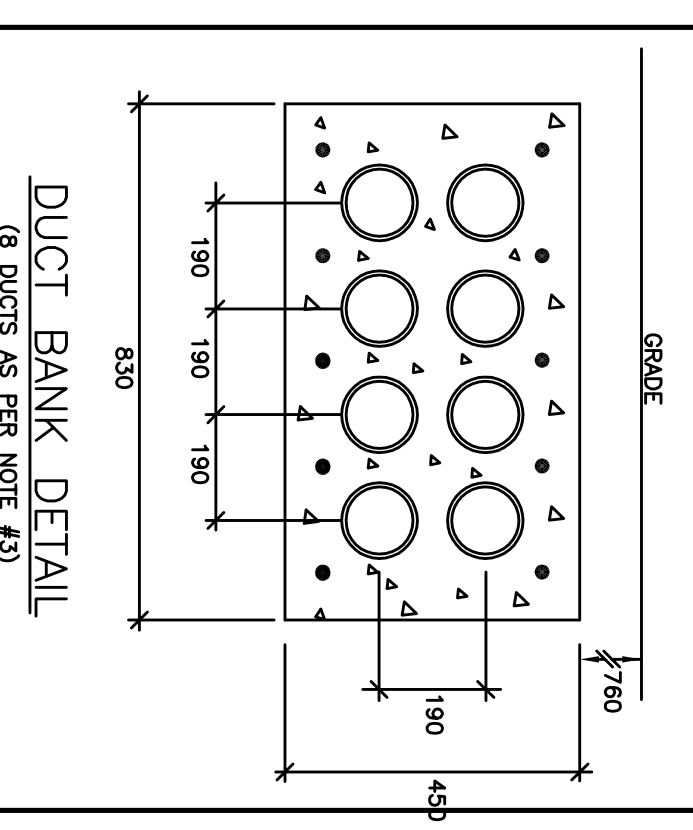
1. TRANSFORMER, CONCRETE WALL AND PAD SUPPLIED & INSTALLED BY ELECTRICAL CONTRACTOR. HIGH VOLTAGE CONTRACTOR INCLUDING ALL GROUNDING, CABLE LISTS ETC. TRANSFORMER TO BE 44KV TO 120/208V 3P 4W 1000KVA.
2. 44KV DIP POLE TO SUIT ORILLA POWER CORP REQUIREMENTS. DIP POLE COORDINATE PROVIDED AND INSTALLED BY ORILLA POWER CORP. ALL NEW VOLTAGE CONSIDERATIONS FROM THE STREET TO POLE AND TO NEW 750KVA TRANSFORMER.
3. SUPPLY AND INSTALL 8-129mm P/C TYPE II DUCTS IN 78mm RE-INFORCED CONCRETE ENVELOPE BURIED MIN. 760mm BELOW GRADE. EXACT ROUTING AND TERMINATION COORDINATE WITH HIGH VOLTAGE CONTRACTOR SUPPLY TRANSFORMER.
4. 4-103mm P/C TYPE II DUCTS BURIED MIN. 610mm BELOW GRADE FOR TELEPHONE SERVICE. EXACT ROUTING & TERMINATION TO BE VERIFIED WITH LOCAL TELEPHONE/DMA SUPPLIER PRIOR TO INSTALLATION. 2 DUCTS ARE FOR FUTURE USE.
5. PROTECTIVE BOLLARDS SUPPLIED AND INSTALLED BY HIGH VOLTAGE CONTRACTOR.

NOTES

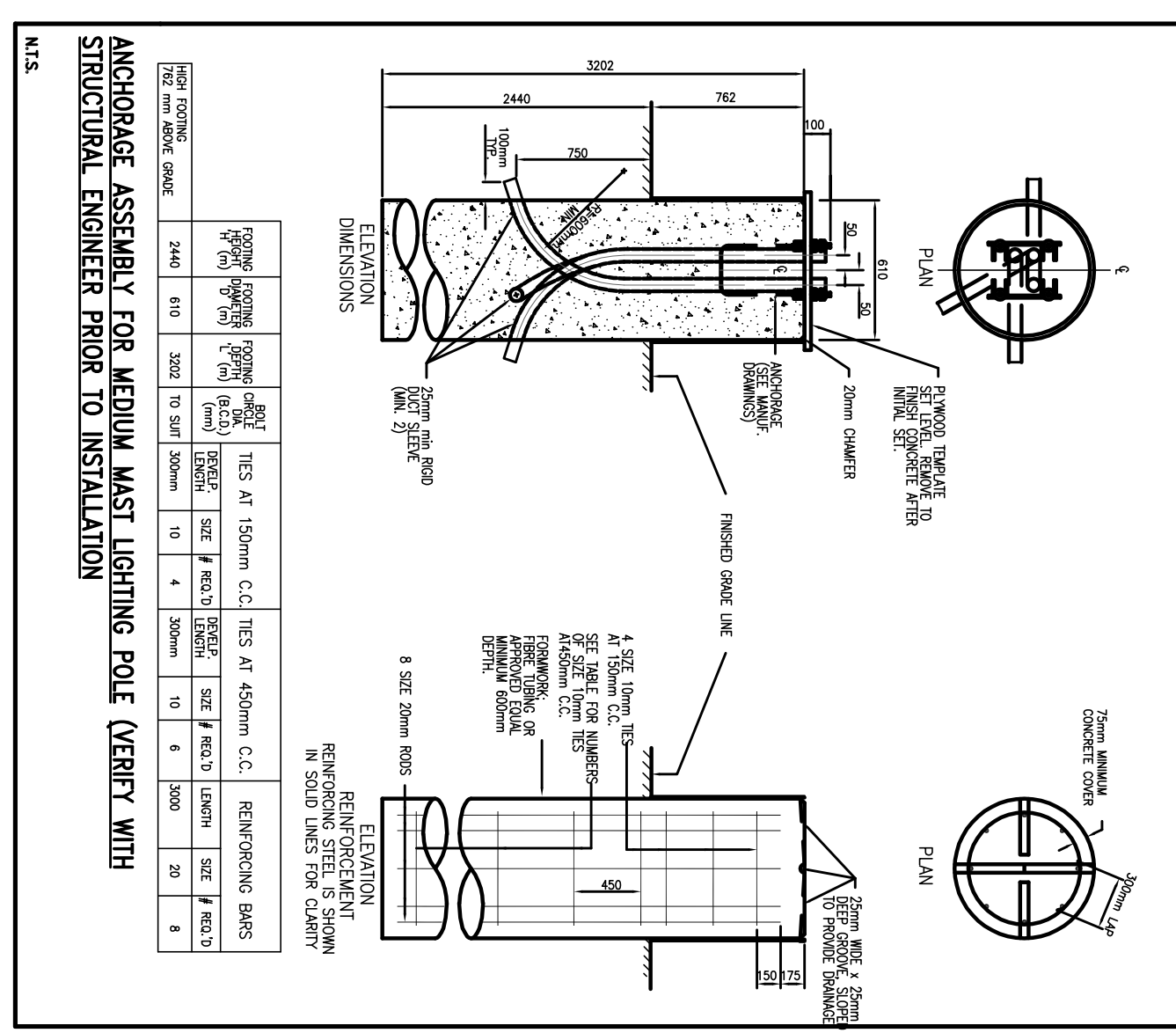
1. ALL WIRING TO FIXTURES TYPE Z1, Z2 & Z4 TO BE 249 RHW-90 UNLESS NOTED OTHERWISE.
2. ALL UNDERGROUND PIPING TO BE 1" P/C.

LIGHTING FIXTURE SCHEDULE

- Z1 ILP LIGHTING CAT. #AL-140WLED-UNV-40-T4
- Z1-1 ILP LIGHTING CAT. #ASS-27-O-X-07
- Z2 ILP LIGHTING CAT. #AL-140WLED-UNV-40-T5S
- Z2-1 ILP LIGHTING CAT. #ASS-27-1-X-07
- Z3 ILP LIGHTING CAT. #WPCS-28WLED-UNV-40-T4
- Z4 ILP LIGHTING CAT. #WPCS-44WLED-UNV-40-T4



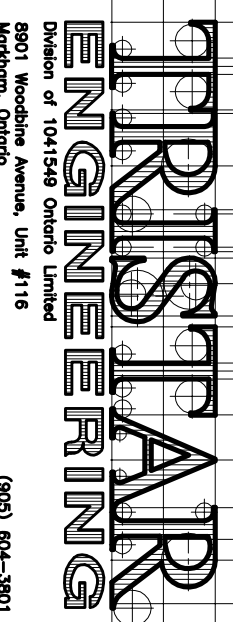
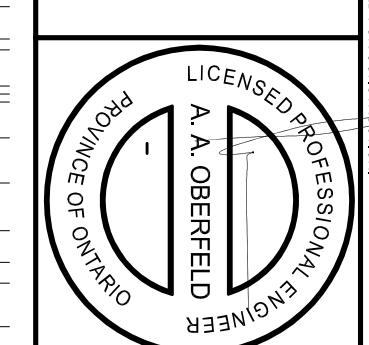
- NOTES:**
- CLASS OF CONCRETE 30MPa.
 - THE CONTRACTOR SHALL OBTAIN NUMBERS OF ANCHOR BOLTS AND BOLT CIRCLE DIAMETERS FOR THE POLE PRIOR TO PLACING CONCRETE.
 - REMOVED STEEL SHALL BE GRADE 400.
 - CLEAN EXPOSURE TO REMOVED STEEL SHALL BE 3mm x 3mm (1/8" x 1/8").
 - ANCHORAGE ASSEMBLY SHALL BE PROVIDED WITH 400MPa STEEL ANCHOR BOLTS.
 - EXPOSURE FOR PLACEMENT OF ELECTRICAL CONDUITS NOT TO EXCEED 1.2m BELOW TOP OF FOOTING.
 - EXPOSURE SHALL BE REINFORCED WITH MINIMUM YIELD OF 617MPa (MINIMUM TENSILE STRENGTH 670MPa) AND SHALL SUSTAIN OVER 1.4-TONCH OF FORCE.
 - POLE ANCHOR BOLTS SHALL BE VERTICALLY INSTALLED IN THE CORRECT LOCATIONS. NO ADJUSTMENT SHALL BE ALLOWED AFTER CONCRETE PLACEMENT.
 - ALL WATER SHALL BE REMOVED PRIOR TO CONCRETE PLACEMENT.
 - CONTRACTOR SHALL MAINTAIN THE STABILITY OF THE FOUNDATION AND SHALL BE RESPONSIBLE FOR THE CONCRETE BASE AND SHALL BE RESPONSIBLE FOR THE TIME OF AN OPEN END STEEL LINER TO THE EXTENSION OF OTHER CONTRACTORS.
 - THE CONTRACTOR SHALL BE RESPONSIBLE FOR THE PLACEMENT OF THE CONCRETE IN THE CORRECT LOCATIONS AND BE RESPONSIBLE AS TO THE NUMBER OF (NO. OF) STERES REQUIRED FOR EACH CONCRETE Poured.



NO.	REVISION	DATE
01	HIGH VOLTAGE COMPONENT ISSUED FOR PERMITS	12/8/20
01	ISSUED FOR PERMITS	

REVISIONS

ALL DIMENSIONS TO BE CHECKED AND VERIFIED FOR SITE DISCREPANCIES TO BE REPORTED TO THE ARCHITECT. LATEST APPROVED STAGED DRAWINGS ONE TO BE USED FOR CONSTRUCTION.



SITE PLAN AND DETAILS
SIMCOE COUNTY SERVICE
CAMPUUS - ORILLIA
2 BORLAND STREET EAST, ORILLIA, ON

DATE:	AUG. 2020	PROJECT #:		SHEET #	
DRAWN BY:	DP/JP	PROJECT #:	2020-089	SHEET #	E1A
SCALE:	1:500				